

**Model | Modelo | 45**

Ball valve, three piece design, standard bore, blowout - proof stem | Válvula Esférica de Pasaje Nominal, de 3 Piezas con Vástago Inexpulsable.

Size   Tamaño	Bore   Pasaje	A	B	C	E	Ø F	G	H	Ø J	K	Ø M	LM	kg
2 1/2"	2.00	5.86	2.86	10.24	5.13	5.82	5.13	4.60	4.90	6 X 7/16"	2.90	1.18	6.45
DN 65	50.8	148.7	72.7	260.0	130.3	148.0	128.2	116.8	125.0	UNF	73.8	30.0	
3"	2.50	6.67	3.28	18.31	5.20	6.44	5.90	5.70	5.50	6 X 1/2"	3.53	1.3	13.60
DN 80	63.5	169.3	83.3	465.0	132.2	163.5	150.0	144.8	139.7	UNF	89.8	33.0	
4"	3.25	8.42	4.28	18.31	5.39	8.12	6.52	6.32	6.88	8 X 9/16"	4.54	1.57	22.80
DN 100	82.5	213.8	108.8	465.0	136.9	206.4	165.5	160.5	174.6	UNF	115.4	39.8	
6"	4.38	11.74	5.75	21.30	6.13	11.13	9.22	8.90	9.38	8 X 3/4"	6.65	1.97	36.40
DN 150	111.1	298.1	146.1	541.0	155.3	282.6	234.2	226.2	238.1	UNF	169.0	50.0	

**Model | Modelo | 59**

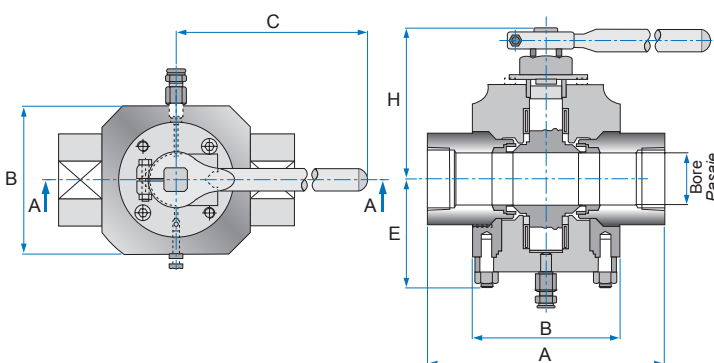
Ball valve, three piece design, full bore, blowout - proof stem | Válvula Esférica de Pasaje Total, de 3 Piezas con Vástago Inexpulsable.

Size   Tamaño	Bore   Pasaje	A	B	C	E	Ø F	G	H	Ø J	K	Ø M	LM	kg
2"	2.00	5.61	2.86	10.24	5.13	5.82	5.13	4.60	4.90	6 X 7/16"	2.41	0.84	6.45
DN 50	50.8	142.7	72.7	260.0	130.3	148.0	128.2	116.8	125.0	UNF	61.1	21.3	
2 1/2"	2.50	6.15	3.28	18.31	4.88	6.44	5.90	5.70	5.51	6 X 1/2"	2.90	1.18	13.60
DN 65	63.5	156.3	83.3	465.0	124.0	163.5	150.0	144.8	140.0	UNF	73.8	30.0	
3"	3.25	7.55	4.28	18.31	4.72	8.12	6.52	6.32	6.87	8 X 9/16"	3.53	1.30	22.80
DN 80	82.5	191.8	108.8	465.0	119.8	206.4	165.5	160.52	174.5	UNF	89.8	33.0	
4"	4.38	11.73	5.75	21.30	4.65	11.13	9.22	8.90	9.37	8 X 3/4"	4.54	1.57	36.40
DN 100	111.1	298.1	146.0	541.0	118.2	282.6	234.2	226.2	238.1	UNF	115.4	39.8	

**Model | Modelo | 92**

High pressure, fire safe, and antistatic ball valves full bore, integral ball and stem. 3000 PSI trunnion mount w/ ball bearings screwed socked ends.

Válvula Esférica de Alta Presión (HP) a Prueba de Fuego (FS) Antiestática. Esfera y Vástago Integral - Guiada con Rodamientos. Pasaje Total - Extremos Roscados (NPT, BSPT, BSP - SW y BW prolongado). Presión de trabajo 3000 PSI.



Size   Tamaño	Bore   Pasaje	A	B	C	E	H	kg
1 1/2"	1.50	8.00	4.84	18.30	3.62	5.55	22.00
DN 40	38.1	203.0	123.0	465.0	92.0	141.0	
2"	2.00	8.18	5.51	18.30	5.20	6.181	34.00
DN 50	50.8	208.0	140.0	465.0	132.0	157	
2 1/2"	2.50	10.43	7.08	21.30	5.78	7.25	58.00
DN 65	63.5	265	180.0	541.0	147	184	
3"	3.00	11.42	8.03	21.30	6.88	8.07	92.00
DN 80	76.2	290	204.0	541.0	175.0	205	
4"	4.00	14.05	10.11	27.55	8.07	10.15	180.00
DN 100	101.6	357.0	257.0	541.0	205.0	258.0	