

Model | T 44 | Three way

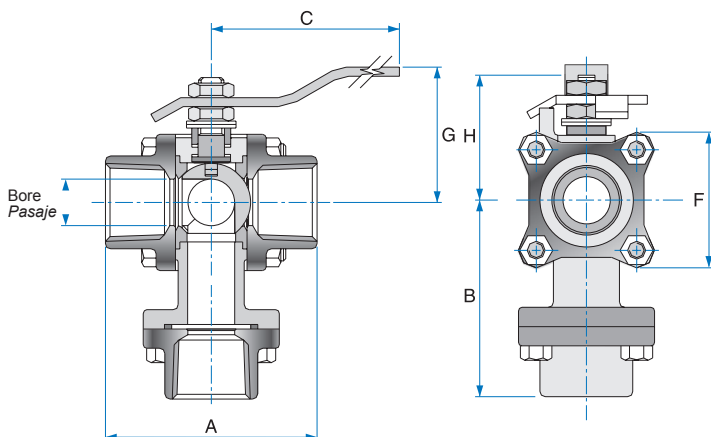
Modelo | T 44 | Tres vías



VALBOL

Válvulas Worcester de Argentina S.A.

Ball valve, three way - Porting # 1, 2, 3. Bottom entry
Válvula Esférica Tres Vías - Porting # 1, 2, 3.



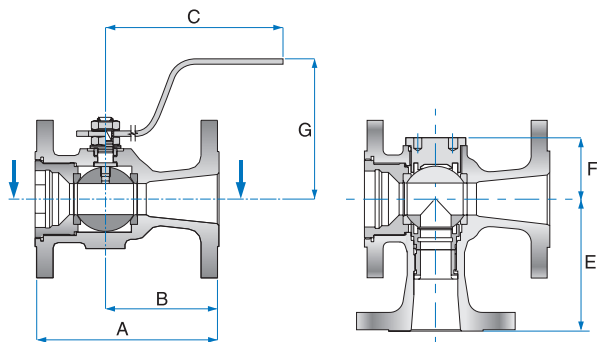
Size Tamaño	Bore Pasaje	A	B	H	G	C	F	kg
1/4"	0.44	2.79	2.80	1.59	1.81	4.44	1.75	1.20
DN 8	11.2	70.7	71.1	40.4	46.0	112.8	44.5	1.20
3/8"	0.44	2.79	2.80	1.59	1.81	4.44	1.75	1.20
DN 10	11.2	70.7	71.1	40.4	46.0	112.8	44.5	1.20
1/2"	0.44	2.79	2.80	1.69	1.88	4.44	2.00	1.20
DN 15	11.2	70.7	71.1	42.8	47.8	112.8	50.8	1.20
3/4"	0.56	2.79	2.80	1.69	1.88	4.44	2.00	1.20
DN 20	14.2	70.7	71.1	42.8	47.8	112.8	50.8	1.20
1"	0.81	3.72	3.44	2.20	2.44	5.75	2.38	2.00
DN 25	20.6	94.5	87.4	55.8	62.0	146.1	60.5	2.00
1 1/4"	1.00	4.52	4.11	2.88	3.12	5.75	3.00	3.90
DN 32	25.4	114.9	104.3	73.2	79.3	146.1	76.2	3.90
1 1/2"	1.25	4.52	4.11	2.88	3.12	7.00	3.00	3.90
DN 40	31.8	114.9	104.3	73.2	79.3	177.8	76.2	3.90
2"	1.50	5.73	5.46	3.06	3.31	7.00	3.38	5.00
DN 50	38.1	126.4	137.7	77.7	84.1	177.8	85.9	5.00

Portings detailed in page 13 | Ver Porting en página 13.

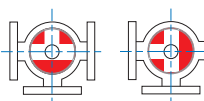
Model | Modelo | 17 | Three way | Tres vías

Ball valve, three way lateral port, "T" port; "L" port

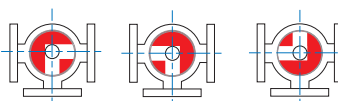
*Válvula Esférica Tres Vías Bridadas S - 150 entrada lateral "T" Port,
 "L" Port Salida Lateral.*



Size Tamaño	Bore Pasaje	A	E	B	C	G	F	kg
1 1/2"	0.94	6.50	4.00	3.65	6.65	2.88	1.97	9.00
DN 40	24.0	165.1	101.6	92.6	169.0	73.0	50.0	9.00
2"	1.18	7.00	5.00	4.32	6.65	5.82	2.31	14.00
DN 50	30.0	177.8	127.0	109.8	169.0	148.0	58.7	14.00
3"	1.97	8.00	6.00	4.36	18.30	5.82	3.26	25.00
DN 75	50.0	203.2	152.4	110.9	465.0	148.0	83.0	25.00
4"	2.95	9.00	7.13	4.00	18.30	8.93	4.33	39.00
DN 100	76.0	228.6	181.1	101.6	465.0	227.0	110.0	39.00
6"	3.97	10.50	9.74	4.24	21.30	8.93	5.25	68.00
DN 150	101.0	266.7	247.6	107.9	541.0	227.0	133.3	68.00



Porting 3 option 90° "T" Ball.
Porting 3 Opción 90° - Pasajes de la esfera "T".

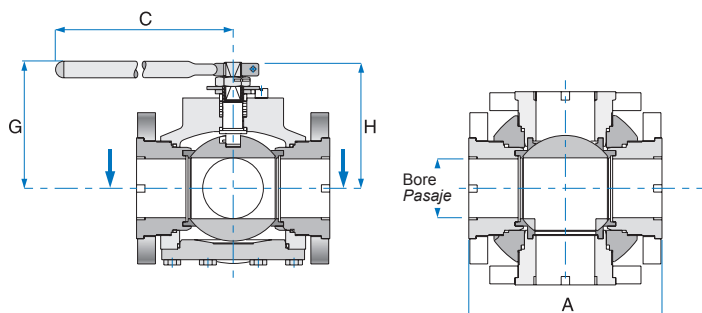


Porting 2 option 180° "L" Ball.
Porting 2 Opción 180° - Pasajes de la esfera "L".

Model | Modelo | 18 | Multi way | Multi-vía

Ball valve, three and four way, lateral port - Flanges # 150, # 300 RF & # 600 RF porting "T" & "L". Full port.

Válvula Esférica 3 y 4 Vías, Pasaje Total - Extremos Bridados, ASME 150 y 300. Pasaje en "T" y "L".



Size Tamaño	Bore Pasaje	A	C	G	H	kg
1"	0.94	5.00	5.83	4.65	2.87	7.00
DN 25	24.0	127.0	148.0	118.0	73.0	7.00
1 1/2"	1.46	6.50	8.27	5.47	4.37	12.00
DN 40	37.0	165.0	210.0	139.0	111.0	12.00
2"	1.93	7.99	10.24	5.83	4.72	19.00
DN 50	49.0	203.0	260.0	148.0	120.0	19.00
3"	2.95	9.61	18.31	6.26	6.26	47.00
DN 80	75.0	244.0	465.0	159.1	159.1	47.00
4"	3.86	12.01	18.31	10.83	8.62	84.00
DN 100	98.0	305.0	465.0	275.0	219.0	84.00
6"	5.83	15.51	21.30	12.28	10.08	160.00
DN 150	148.0	394.0	541.0	312.0	256.0	160.00

Note: Flanges with threaded holes.
Nota: las bridas de esta válvula tienen agujeros roscados.