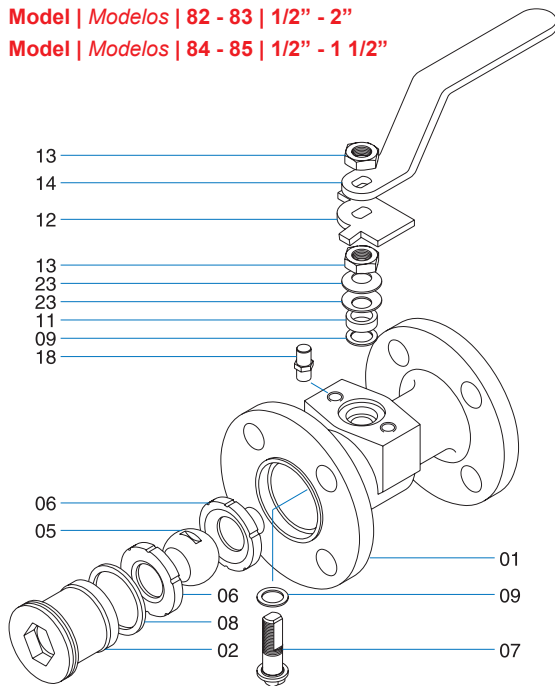
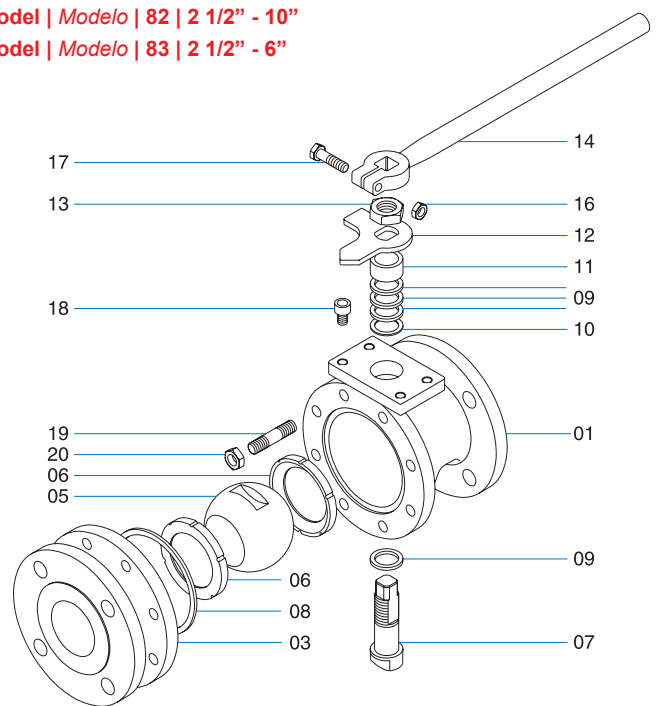


Typical valve parts assembly | *Despiece de los componentes.*

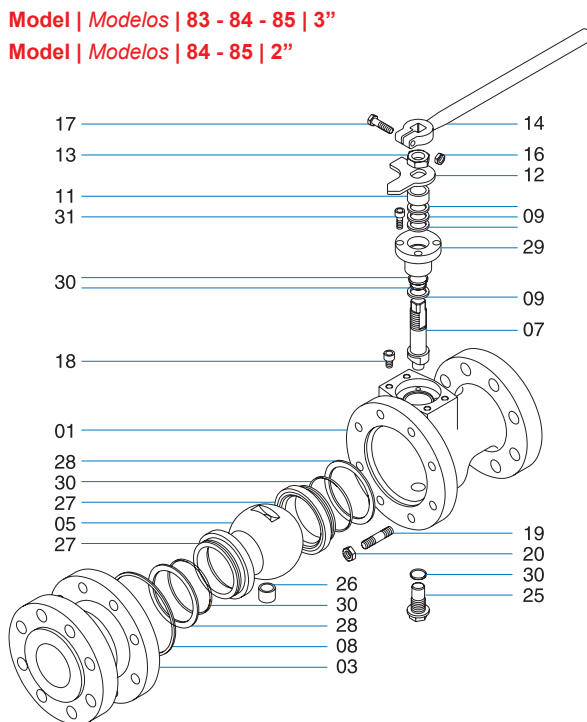
Model | Modelos | 82 - 83 | 1/2" - 2"  
 Model | Modelos | 84 - 85 | 1/2" - 1 1/2"



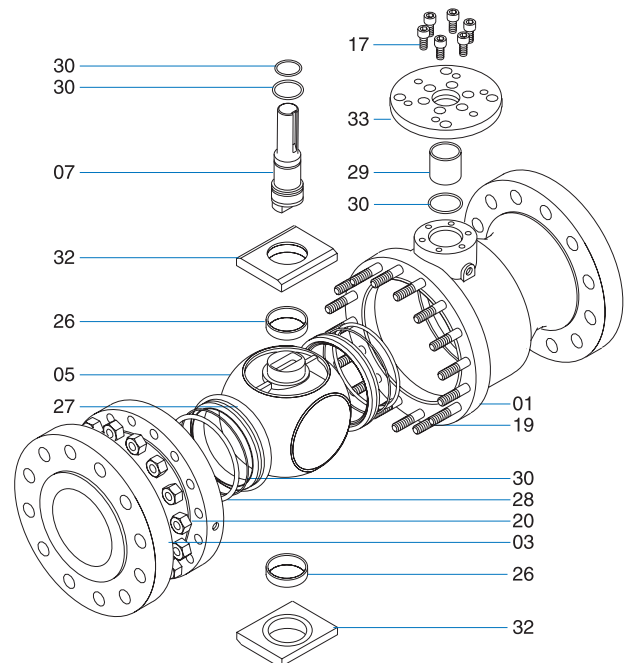
Model | Modelo | 82 | 2 1/2" - 10"  
 Model | Modelo | 83 | 2 1/2" - 6"



Model | Modelos | 83 - 84 - 85 | 3"  
 Model | Modelos | 84 - 85 | 2"



Model | Modelo | 83 | 8" - 12"  
 Model | Modelo | 85 | 4" - 6"



Model | Modelo | 84 | 4" - 12"  
 Model | Modelo | 86 | 2" - 6"

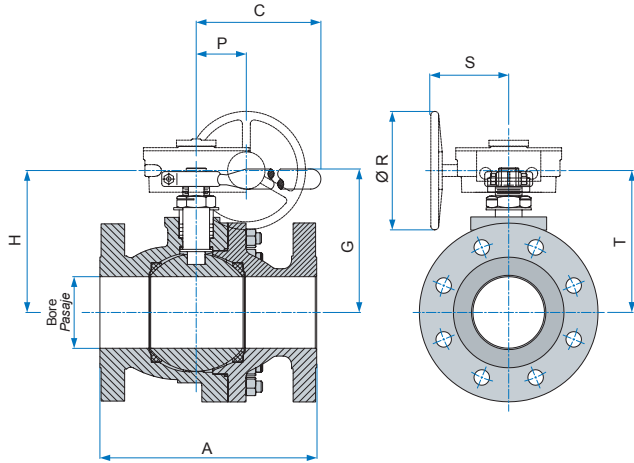
- |                     |                            |
|---------------------|----------------------------|
| 01 Body             | 17 Hex bolt                |
| 03 Body tail piece  | 18 Stop screw              |
| 05 Ball             | 23 Bellville washers       |
| 06 Seat             | 25 Inferior trunnion guide |
| 07 Stem             | 26 Stem seal follower      |
| 08 Body seal        | 27 Seat insert             |
| 09 Thrust bearing   | 28 Spring plate            |
| 10 Centering washer | 29 Stem seal follower      |
| 11 Follower         | 30 O'Ring                  |
| 12 Stop plate       | 31 Bolt                    |
| 13 Retainingnuts    | 32 Trunnion guide          |
| 14 Wrench / Handle  | 33 Upper flange            |
| 16 Hex nut          |                            |

- |                        |                       |
|------------------------|-----------------------|
| 01 Cuerpo              | 17 Tornillo           |
| 03 Cuerpo chico        | 18 Tornillo tope      |
| 05 Esfera              | 23 Arandela Bellville |
| 06 Asiento             | 25 Eje inferior       |
| 07 Vástago             | 26 Buje               |
| 08 Junta cuerpo        | 27 Porta asiento      |
| 09 Arandela            | 28 Resorte platillo   |
| 10 Arandela inoxidable | 29 Buje vástago       |
| 11 Separador           | 30 O'Ring             |
| 12 Placa stop          | 31 Tornillo buje      |
| 13 Tuerca de vástago   | 32 Soporte guía       |
| 14 Palanca             | 33 Brida superior     |
| 16 Tuerca              |                       |

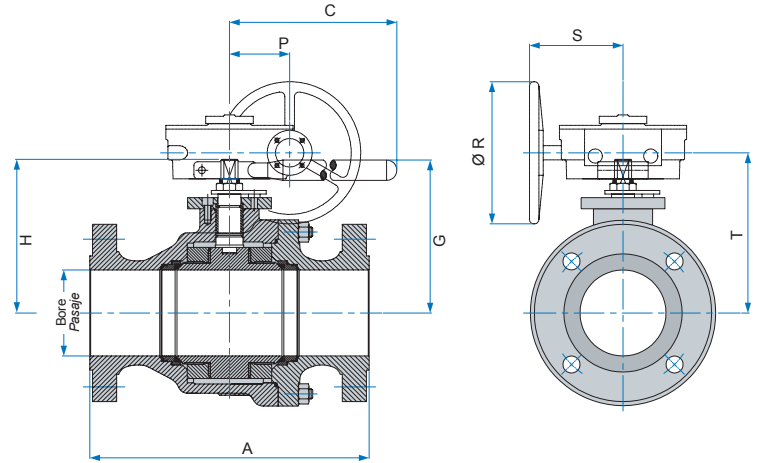


Ball valve, full bore, two piece design, blowout - proof stem | Válvula Esférica Bridada de Pasaje Total.

Model | Modelo | 82 | 83 | 84 | 85 | 86



Model | Modelo | 82 | 83 | 84 | 85 | 86  
Trunnion Ball / Esfera Guiada



Note / Nota:	Model / Modelo				
Flanged / Bridado	82	83	84	85	86
Serie / ASME	150	300	600	900	1500

Size Tamaño	Bore Pasaje	Mod.82 A	Mod.83 A	Mod.84 A	Mod.85 A	Mod.86 A	C	G	H	P	ØR	S	T	Mod.82 kg	Mod.83 kg	Mod.84 kg	Mod.85 kg	Mod.86 kg
1/2"	0.56	4.25	5.50	6.50	-	-	5.12	3.35	1.60	-	-	-	-	1.80	2.50	2.70	-	-
DN 15	14.3	107.9	139.7	165.1	-	-	130.0	85.0	40.5	-	-	-	-	1.80	2.50	2.70	-	-
3/4"	0.81	4.62	6.00	-	-	-	5.79	4.37	2.19	-	-	-	-	2.50	4.00	5.00	-	-
DN 20	20.6	117.4	152.4	-	-	-	147.0	111.1	55.6	-	-	-	-	2.50	4.00	5.00	-	-
1"	1.00	5.00	6.50	8.50	-	-	5.00	3.69	2.38	-	-	-	-	3.50	5.00	6.00	-	-
DN 25	25.4	127.0	165.1	215.9	-	-	127.8	93.7	60.5	-	-	-	-	3.50	5.00	6.00	-	-
1 1/4"	1.25	5.50	7.00	-	-	-	5.75	4.90	3.34	-	-	-	-	6.50	8.00	-	-	-
DN 32	31.7	139.7	177.8	-	-	-	146.0	124.2	84.8	-	-	-	-	6.50	8.00	-	-	-
1 1/2"	1.50	6.50	7.50	9.50	12.00	-	5.75	4.59	3.06	-	-	-	-	6.50	9.00	11.00	16.00	-
DN 40	38.1	165.1	190.5	241.3	304.8	-	146.0	116.6	77.2	-	-	-	-	6.50	9.00	11.00	16.00	-
2"	2.00	7.00	8.50	*11.50	*14.50	*14.50	10.24	5.05	4.57	-	-	-	-	9.18	17.00	19.70	32.00	60
DN 50	50.8	177.8	215.9	*292.1	*368.3	*368.3	260.0	128.2	116.1	-	-	-	-	9.18	17.00	19.70	32.00	60
2 1/2"	2.50	7.50	9.50	*13.00	*16.50	-	18.31	5.91	5.71	-	-	-	-	18.50	25.00	40.00	-	-
DN 65	63.5	190.5	241.3	*330.2	*419.1	-	465.0	150.1	145.1	-	-	-	-	18.50	25.00	40.00	-	-
3"	3.00	8.00	11.12	*14.00	*15.00	*19.56	18.31	7.13	6.93	-	-	-	-	24.00	33.00	45.00	59.00	109
DN 80	76.2	203.2	282.6	*355.6	*381.0	*469.9	465.0	181.1	176.1	-	-	-	-	24.00	33.00	45.00	59.00	109
4"	4.00	9.00	**12.00	*17.00	*18.00	*21.50	18.31	7.13	6.93	3.35	17.71	9.45	8.46	34.50	55.00	86.00	101.00	170
DN 100	101.2	228.6	**304.8	*431.8	*457.2	*546.1	465.0	181.1	176.1	85.1	450.0	240.0	215.0	34.50	55.00	86.00	101.00	170
6"	6.00	**15.50	**15.87	*22.00	*24.00	*27.75	21.30	10.3	9.99	3.35	17.71	9.45	10.65	80.00	101.00	211.00	-	338.5
DN 150	152.4	**393.7	**403.2	*558.8	*609.6	*704.9	541.0	261.8	253.8	85.1	450.0	240.0	270.6	80.00	101.00	211.00	-	338.5
8"	8.00	**18.00	*16.50	*26.00	*29.00	-	-	-	16.54	4.92	23.62	12.28	16.54	159.00	210.00	329.00	-	-
DN 200	203.2	**457.2	*419.1	*660.4	*136.3	-	-	-	420.0	1250	600.0	312.0	420.0	159.00	210.00	329.00	-	-
10"	10.00	**21.00	*22.37	*31.00	-	-	-	-	17.72	7.87	35.43	16.77	17.72	-	-	610.00	-	-
DN 250	254.0	**533.4	*568.3	*787.4	-	-	-	-	450.0	200.0	900.0	426.0	450.0	-	-	610.00	-	-
12"	12.0	**24.00	*25.50	*33.00	-	-	-	-	18.23	7.87	35.43	16.77	18.23	-	-	803.00	-	-
DN 300	304.8	**609.6	*647.7	*838.2	-	-	-	-	463.0	200.0	900.0	426.0	463.0	-	-	803.00	-	-

**Notes:**  
 1) Series 600/1500 2" and above trunnion ball. Series 300 10" and above trunnion ball.  
 2) Above 6" series 150 and 300 - 4" series 600/1500. Gear box recommended.  
 3) Series 150- 300 2" to 8" trunnion ball optional.  
 4) Model 84 /86 BW ends optional.  
 5) 1/2 - 2" models 82/83 / 84 / 85/86 one piece design.  
 \* Trunnion ball.  
 \*\* Floating or trunnion ball.  
 The dimensions where it is not indicated \*\*/\*\*\*, are floating ball valve.

**Notas:**  
 1) Serie 600 /1500 2" y mayores Esfera Guiada. Serie 300 10" y mayores Esfera Guiada.  
 2) Mayores a 6" series 150 / 300 y 4" series 600 /1500, recomendamos usar caja de engranajes.  
 3) Serie 150 - 300 2" a 8" Guiada Opcional.  
 4) Modelos 84 / 86 extremos biselados opcional.  
 5) 1/2" - 2" modelos 82/ 83/ 84/ 85/86 cuerpo enterizo.  
 \* Esfera guiada.  
 \*\* Esfera flotante o guiada.  
 Las dimensiones donde no se indica \*\*/\*\*\* son válvulas con esfera flotante.