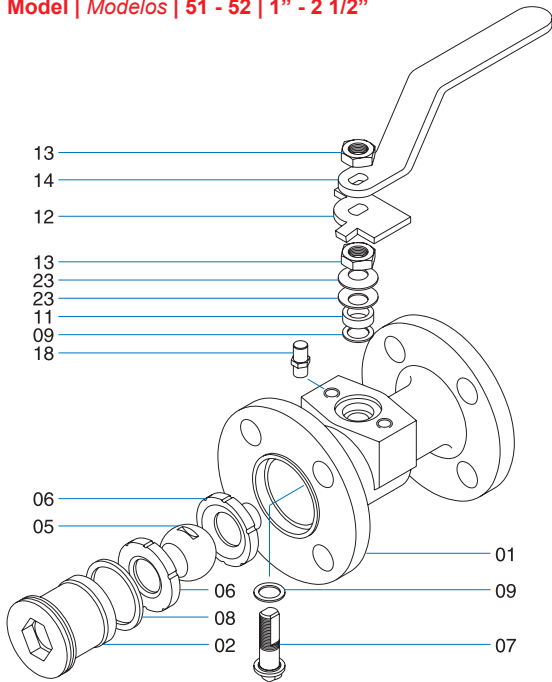
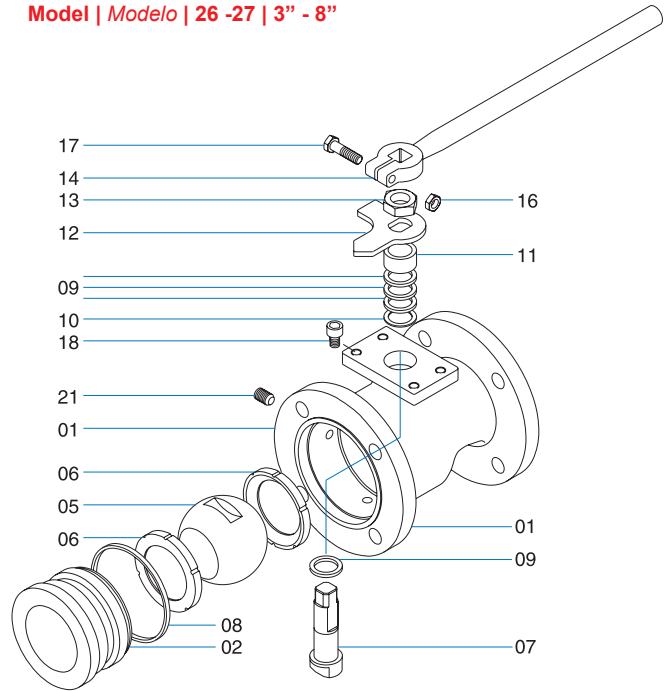


Typical valve parts assembly | *Despiece de los componentes.*

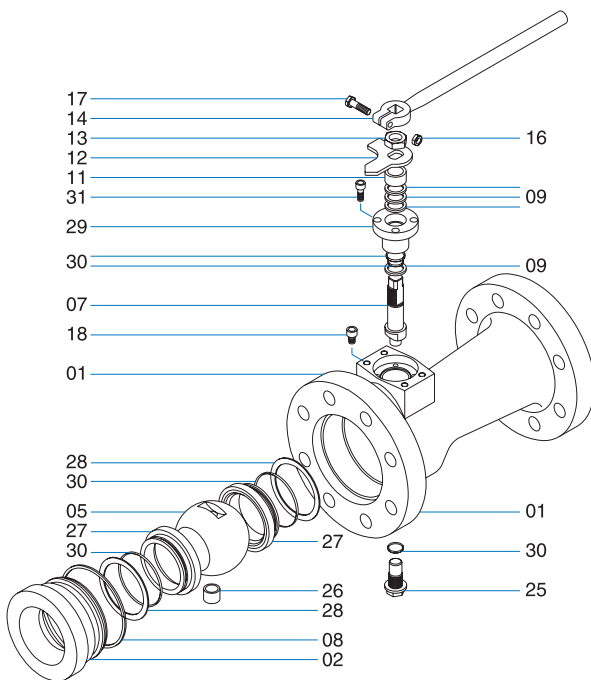
Model | Modelos | 51 - 52 | 1" - 2 1/2"



Model | Modelo | 26 - 27 | 3" - 8"



Model | Modelo | 53 | 2" - 4"

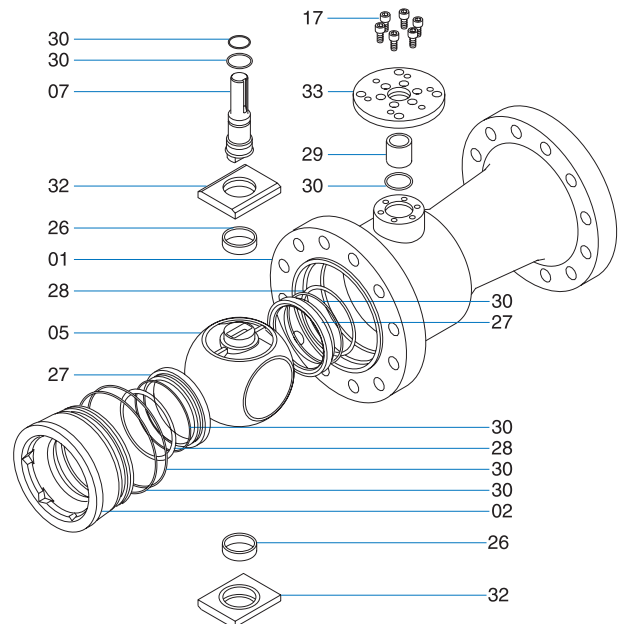


Model | Modelo | 26 - 27 | 6" - 8"

Model | Modelo | 52 | 10" - 12"

Model | Modelo | 53 | 6" to 12"

Note: 10" and 12" split body. / Nota: 10" y 12" cuerpo partido.



- | | |
|---------------------|----------------------------|
| 01 Body | 17 Hex bolt |
| 02 End plug | 18 Stop screw |
| 05 Ball | 21 Prisoner |
| 06 Seat | 23 Bellville washers |
| 07 Stem | 25 Inferior trunnion guide |
| 08 Body seal | 26 Stem seal follower |
| 09 Thrust bearing | 27 Seat insert |
| 10 Centering washer | 28 Spring plate |
| 11 Follower | 29 Stem seal follower |
| 12 Stop plate | 30 O'Ring |
| 13 Retaining nuts | 31 Bolt |
| 14 Wrench / Handle | 32 Trunnion guide |
| 16 Hex nut | 33 Upper flange |

- | | |
|------------------------|-----------------------|
| 01 Cuerpo | 17 Tornillo |
| 02 Tapón | 18 Tornillo tope |
| 05 Esfera | 21 Prisionero |
| 06 Asiento | 23 Arandela Bellville |
| 07 Vástago | 25 Eje inferior |
| 08 Junta cuerpo | 26 Buje |
| 09 Arandela | 27 Porta asiento |
| 10 Arandela inoxidable | 28 Resorte platillo |
| 11 Separador | 29 Buje vástago |
| 12 Placa stop | 30 O'Ring |
| 13 Tuerca de vástago | 31 Tornillo buje |
| 14 Palanca | 32 Soporte guía |
| 16 Tuerca | 33 Brida superior |

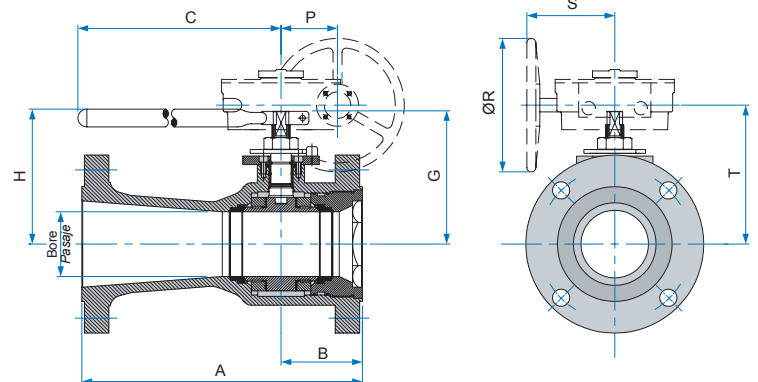
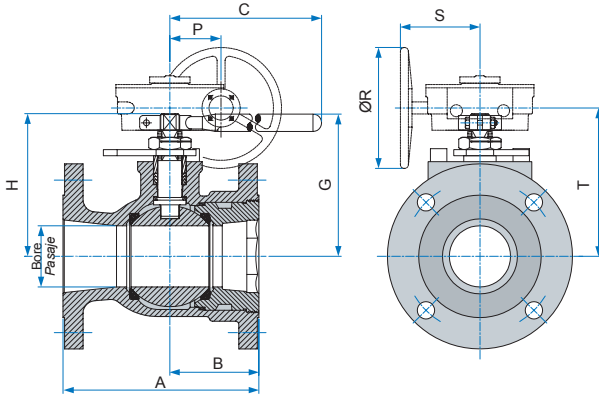


Ball valve, standard bore, one piece design, blowout - proof stem *Válvula Esférica Bridada de Pasaje Nominal.*

Model | Modelo | 51 | 52 | 53 | 26 | 27

Model | Modelo | 51 | 52 | 53 | 26 | 27

Trunnion Ball / Esfera Guiada



Note / Nota:	Model / Modelo		
Flanged / Bridado	51	52	53
Serie / ASME	150	300	600

Note / Nota:	Model / Modelo	
Flanged / Bridado	26	27
Serie / ASME	150	300

Size Tamaño	Bore Pasaje	Modelo 51		Modelo 52		Modelo 53		C	G	H	P	Ø R	S	T	Mod.51 kg	Mod.52 kg	Mod.53 kg
		A	B	A	B	A	B										
1"	0.75	5.00	2.25	6.50	2.25	-	-	6.50	2.19	2.20	-	-	-	-	3.40	4.50	6.00
DN 25	19.0	127.0	57.1	165.1	57.1	-	-	165.1	55.6	55.8	-	-	-	-	-	-	-
1 1/4"	1.00	5.50	2.43	7.00	2.43	-	-	6.50	2.38	2.38	-	-	-	-	4.20	6.10	-
DN 32	25.4	139.7	61.8	177.8	61.8	-	-	165.1	60.4	60.5	-	-	-	-	-	-	-
1 1/2"	1.19	6.50	2.47	7.50	2.47	-	-	7.50	2.88	2.88	-	-	-	-	5.50	8.00	11.00
DN 40	30.1	165.1	62.7	190.5	62.7	-	-	190.5	73.0	73.2	-	-	-	-	-	-	-
2"	1.44	7.00	2.69	8.50	2.69	*11.50	*2.67	7.50	3.06	3.06	-	-	-	-	8.50	10.00	15.00
DN 50	36.5	177.8	68.2	215.9	68.2	*292.1	*67.8	190.5	77.8	77.7	-	-	-	-	-	-	-
2 1/2"	2.00	7.50	2.83	9.50	2.83	-	-	10.24	5.13	4.60	-	-	-	-	13.00	16.50	-
DN 65	50.8	190.5	72.0	241.3	72.0	-	-	260.0	128.2	116.8	-	-	-	-	-	-	-
3"	2.00	-	-	-	-	*14.00	*3.96	10.24	5.05	4.57	3.35	17.71	9.44	7.20	-	-	-
DN 80	50.8	-	-	-	-	*355.6	*100.6	260.0	128.2	116.1	85.1	450.0	240.0	183.1	14.00	21.00	34.00
4"	3.00	-	-	-	-	*17.00	*4.50	18.31	6.32	6.13	3.35	17.71	9.44	7.85	-	-	-
DN 100	76.2	-	-	-	-	*431.8	*114.2	465.0	160.6	155.6	85.1	450.0	240.0	199.4	28.00	39.00	58.00
6"	4.00	-	-	-	-	*22.00	*11.00	18.31	7.13	6.74	3.35	17.71	9.44	9.55	-	-	-
DN 150	101.6	-	-	-	-	*558.8	*279.4	465.0	181.1	171.1	85.1	450.0	240.0	242.8	45.00	66.00	169.00
8"	6.00	-	-	-	-	*26.00	*13.00	21.3	10.2	10.00	3.35	17.71	9.44	10.65	-	-	-
DN 200	152.4	-	-	-	-	*660.4	*330.2	541.0	259.0	254.0	85.1	450.0	240.0	270.6	74.00	113.00	204.00
10"	7.37	13.00	7.13	*18.00	*7.13	*31.00	*15.50	-	-	13.78	4.92	23.62	12.28	13.78	108.00	355	412.00
DN 250	187.3	330.2	171.0	*457.2	*181.0	*787.4	*393.7	-	-	350.0	125.0	600.0	312.0	350.0	-	-	-
12"	8.00	14.00	7.00	*25.50	*12.75	*33.00	*16.50	-	-	15.0	4.92	23.62	12.28	15.00	-	-	-
DN 300	203.2	355.6	177.8	*647.7	*323.9	*838.2	*419.0	-	-	380.0	125.0	600.0	312.0	380.0	151.00	415	604.00
14"	10.50	27.00	13.50	*30.00	*15.00	*35.00	*17.50	-	-	18.27	4.92	23.62	12.28	18.27	632.00	692	870.00
DN 350	267.0	685.8	342.9	*762.0	*381.0	*889.0	*444.5	-	-	464.0	125.0	600.0	312.0	464.0	-	-	-
16"	12.00	*30.00	*15.00	*33.00	*16.50	-	-	-	-	19.91	4.92	23.62	12.28	17.91	576.00	741.00	1310.00
DN 400	304.8	*762.0	*381.0	*838.2	*419.1	-	-	-	-	455.0	125.0	600.0	312.0	455.0	-	-	-

Size Tamaño	Bore Pasaje	Modelo 26		Modelo 27		C	G	H	P	Ø R	S	T	Mod.26 kg	Mod.27 kg	
		A	B	A	B										
3"	Flotante	50.8	203.2	82.88	282.6	82.88	260.0	128.2	116.1	65.0	302.0	328.0	150.0	18.0	22.1
4"	Flotante	76.2	228.6	101.6	304.8	101.6	465.0	160.6	155.6	65.0	302.0	328.0	180.0	28.0	37.0
6"	Flotante	101.6	266.7	108.1	403.2	108.1	465.0	181.7	171.1	65.0	302.0	328.0	200.0	44.0	69.0
DN 150	Guiada	101.6	266.7	133.0	403.2	134.0	541.0	240.0	250.0	79.0	405.0	334.0	270.0	50	72
8"	Flotante	152.4	292.1	144.6	419.1	144.6	541.0	259.0	254.0	79.0	405.0	334.0	290.0	82.0	105.0
DN 200	Guiada	152.4	292.1	144.6	419.1	146.0	541.0	253.0	263.0	79.0	405.0	334.0	290.0	92	125

Notes:

- Series 600 2" and above trunnion ball. Series 300 10" and above trunnion ball.
 - Above 8" series 150 - 6" serie 300 and 4" series 600, gear box recommended.
 - * Trunnion ball.
 - ** Floating or trunnion ball.
- The dimensions where it is not indicated **/**, are floating ball valve.

Notas:

- Serie 600 2" y mayores Esfera Guiada. Serie 300 10" y mayores Esfera Guiada.
 - Mayores a 8" serie 150, 6" serie 300 y 4" serie 600, recomendamos usar caja de engranajes.
 - * Esfera guiada.
 - ** Esfera flotante o guiada.
- Las dimensiones donde no se indica **/** son válvulas con esfera flotante.